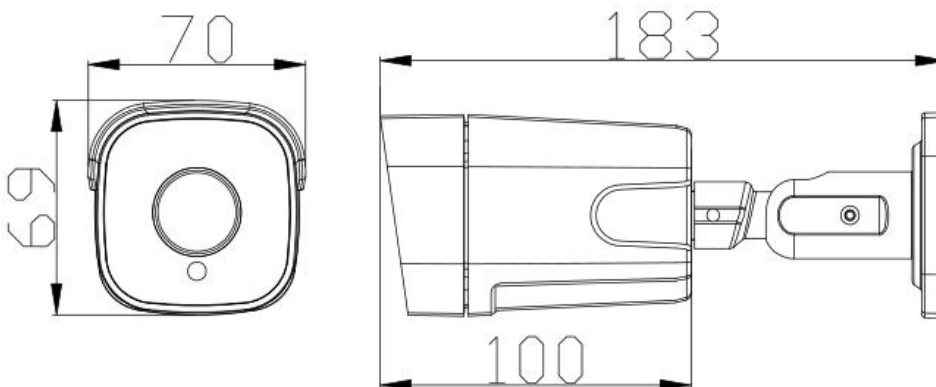


- Progressively scan CMOS, capture moving images without aliasing
- The highest resolution can reach 1920×1080@ 25/30 fps, and real-time images can be output at this resolution
- Progressively scan CMOS, capture moving images without aliasing
- Built-in automatic day and night dual filter switching mechanism, with manual or automatic color to black and other switching methods
- Support AHD, TVI, CVI, CVBS multi-mode output, can be applied to different modes of DVR
- Support dip switch tail line mode adjustment, switching mode is simpler and faster
- Supports coaxial OSD functions, up to 11 languages, suitable for use in different countries
- support WDR,3DNR,Strong light suppression, backlight compensation, digital watermarking,suitable for different monitoring environments
- IR waterproof camera, with inner cable mounting bracket, no need for additional bracket
- 24pcs φ5 IR LED, IR distance 25meter
- Support IP67 protection level,anti-surge,anti-static, lightning protection design



Appearance size (mm)



Specification

Model	Name	2MP IR Bullet HD Camera	
	Model	NICE24-SCA200H	NICE24-SCAT200WB
Camera	Minimum illumination	Color: 0.005LUX	Color: 0.001LUX
		B&W: 0LUX	
	Lens	2.8mm/3.6mm/6mm	2.8mm/3.6mm/6mm
	Sensor	2MP 1/2.9" SONY CMOS	2MP 1/2.8" SONY STARVIS CMOS
	ISP	FH8536H	FH8538M
	AWB	AUTO/GRAY WORLD/PRO/MWB	ATW/MWB
	WDR	DWDR, Dynamic range > 80db	Super WDR,Dynamic range > 120db
	Language	Eng/Chin1/Chin2/Pycc /Espa/Fran/POL/ITAL/PORT/Japan/Korean	Eng/Chin1/Chin2/Pycc /Espa/Fran/POL/ITAL/PORT/Japan
	Resolution	TVI: 1920*1080@25/30fps,1280*720@25/30fps AHD: 1920*1080@25/30fps,1280*720@25/30fps CVI: 1920*1080@25/30fps,1280*720@25/30fps CVBS: PAL,NTSC	
	Day and night	Dual filter switcher, AUTO/Color/B&W/EXT	
	DNR	3D-DNR, 2D-DNR	
	S&N	≥50db (AGC OFF)	
	Shutter	1/25s~1/10000s, Manual/Auto	
	OSD menu	Coaxial Control	
	AE mode	GLOBE/BLC	
	Output mode	AHD/TVI/CVI/CVBS	
Interface	Video output	BNC	
	Power interface	5.5*2.1 DC Power interface	
	Dial switch	2 digit dialing switch, Four modes can be switched	
General specification	Working temperature and humidity	-20°C~60°C, Humidity ≤ 95%	
	power supply	DC12V ±25%	
	Power consumption	5W	
	Protection level	IP67	
	Infrared distance	25M	
	Size	183mm(L)×70mm(W)×69mm(H)	
	Weight	340g	

Effect Sample (SCAT200H)

Indoor daytime:



Indoor night:



Outdoor daytime:



Outdoor night:



Effect Sample (SCAT200WB)

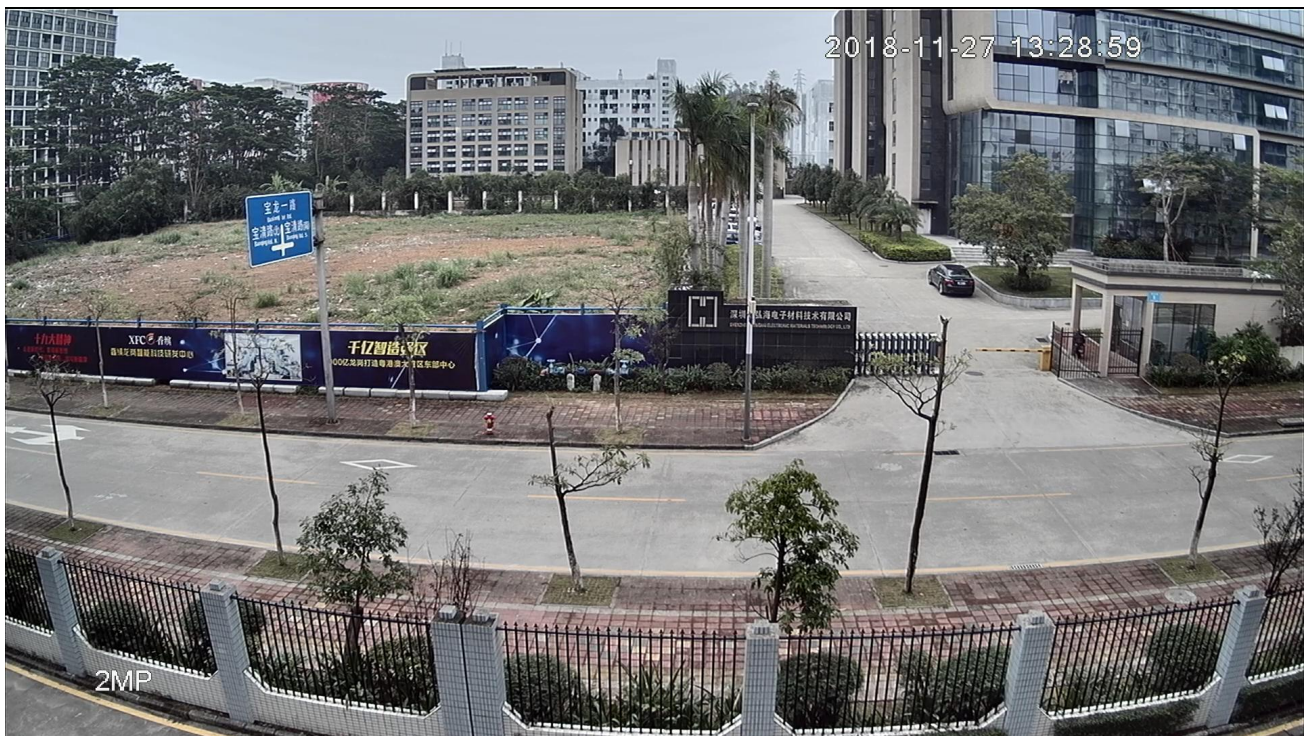
Indoor daytime:



Indoor night:



Outdoor daytime :



Outdoor night :

